

FOR BCP3618  
USE 4 U BOLTS WITH HARDWARE

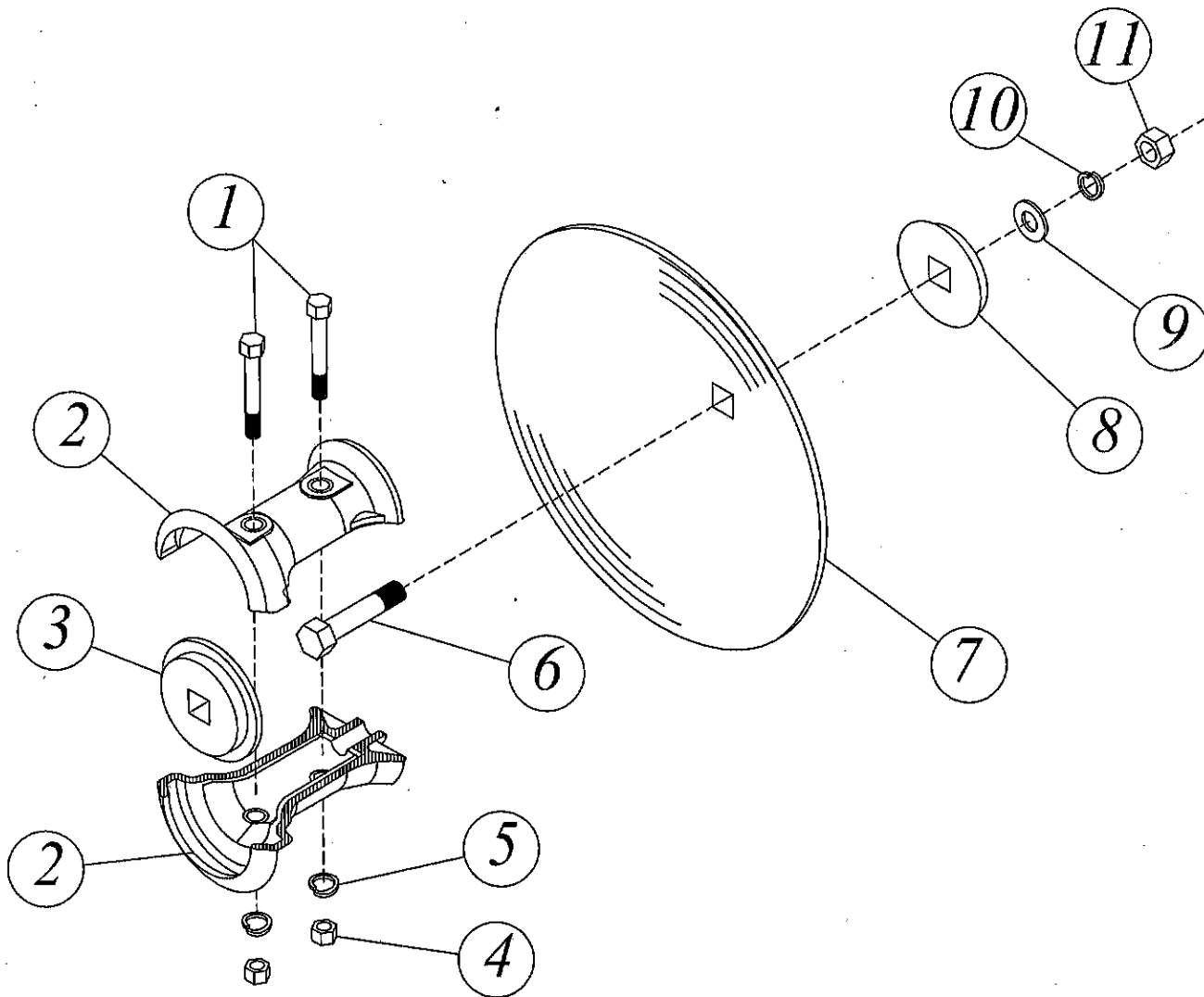
# CULTI PACKER

## BCP1816, BCP2416, BCP3616

REF. #	PART #	DESCRIPTION
1	14770	TOOL BAR WELDMENT, CAT I, 6' BCP1816
	14771	TOOL BAR WELDMENT, CAT I & II, 8' BCP2416
	15598	TOOL BAR WELDMENT, CAT I & II, 12' BCP3616
2	11037	PARKING STAND, 32"
3	9690	PARKING STAND PIN
4	9979	HAIR PIN COTTER
5	15608	CENTER HANGER FOR BCP3618
6	14907	CULTI PACKER HANGER, LEFT HAND
	14908	CULTI PACKER HANGER, RIGHT HAND
7	11971	U-BOLT, 3/4" X 5 1/4" X 4 1/16"
8	T-31	LOCKWASHER, 3/4"
9	T-27	HEX NUT, 3/4"
10	T-25	LOCKWASHER, 1/2"
11	T-26	HEX NUT, 1/2"
12	14939	U-BOLT, 1/2" (FOR LOCKING BRACKET)
* 13	14971	CULTI PACKER WHEEL CASTING
14	VP252	LYNCH PIN
15	10684	HITCH PIN, CAT I
16	13257	HITCH PIN, CAT I & II
17	14962	CULTI PACKER MAIN SHAFT 72"
	14963	CULTI PACKER MAIN SHAFT 84"
18	14938	ROLLER LOCKING BRACKET
19	14940	LOCK SCREW

16" casting

D046



### OUTRIGGER KIT

REF #	PART#	DESCRIPTION	REF #	PART#	DESCRIPTION
1	12163	HEX BOLT, 1/2" X 3 1/2" GR. 5	8	T-1	END WASHER, 1 1/8"
2	T-OR2	OUTRIGGER HALF	9	T-723	FLAT WASHER, 3/4"
3	T-OR1	OUTRIGGER WASHER, 1 1/8" (NOT INCLUDED IN KIT)	10	T-31	LOCK WASHER, 3/4"
	T-OR15	OUTRIGGER WASHER, 1 1/2" (NOT INCLUDED IN KIT)	11	T-27	HEX NUT, 3/4"
4	T-26	HEX NUT, 1/2"	NOTE:	T-703	OUTRIGGER KIT INCLUDES 2 COMPLETE ASSEMBLIES LESS BLADES FOR TW5 & TW6
5	T-25	LOCK WASHER, 1/2"			
6	T-760	HEX BOLT, 3/4" X 3 1/2" GR. 5			
7	5-16118-1	DISC BLADE, 16" X 1" PLAIN	NOTE:	T-703-5-1/2	OUTRIGGER KIT INCLUDES 1 COMPLETE ASSEMBLIES LESS BLADE FOR 38 & 42 SERIES
	5-18118-1	DISC BLADE, 18" X 1" PLAIN			
	2-20138-1	DISC BLADE, 20" X 1" PLAIN			